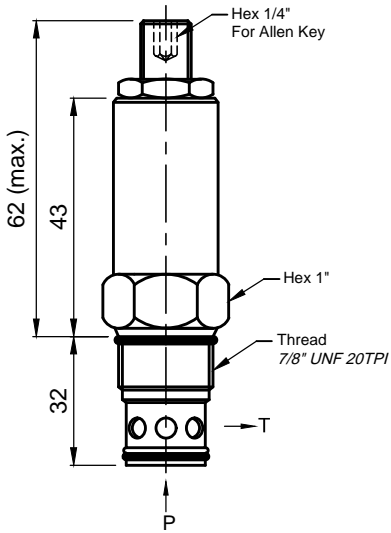


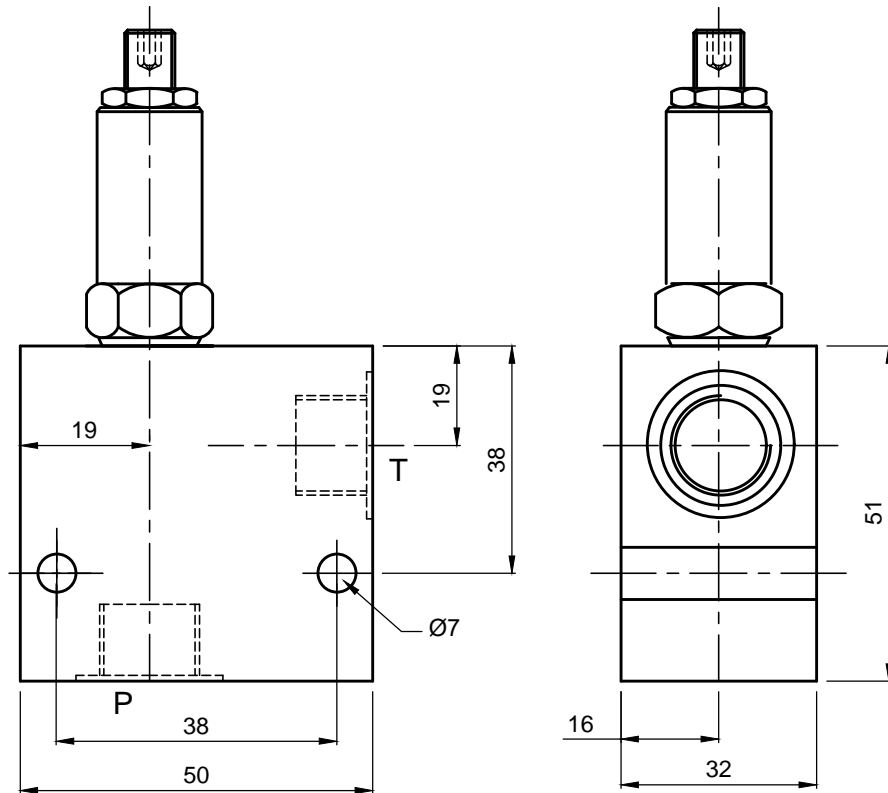


RELIEF VALVES (PILOT OPERATED)

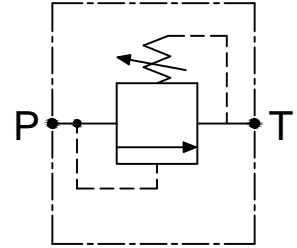
RP 03-XX-YY-ZZ



Cartridge



Cartridge With Body



Specifications

Maximum Flow	110 LPM
Maximum Setting Pressure	245 Bar
Reseat Pressure	80% of crack pressure
Cavity	C10-2

General Description

The RP Series, Pilot Operated Spool Type Relief Valves are best suited for continuous duty applications and are primarily used to limit main system pressure.

XX	Mounting Style
00	Cartridge
IL	Inline Mounting

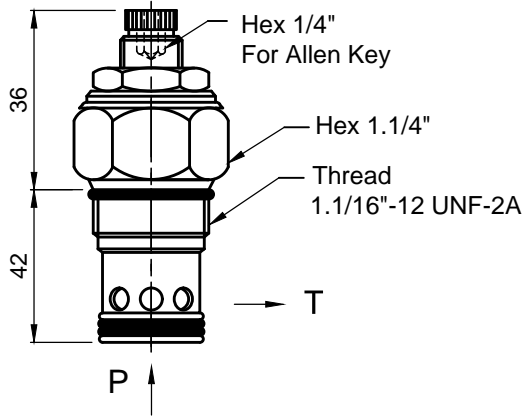
YY	Press.Range(Bar)
10	10 - 105
20	20 - 170
30	30 - 245

ZZ	PORTS
00	Cartridge
12	1/2" BSP (STD.)
34	3/4" BSP

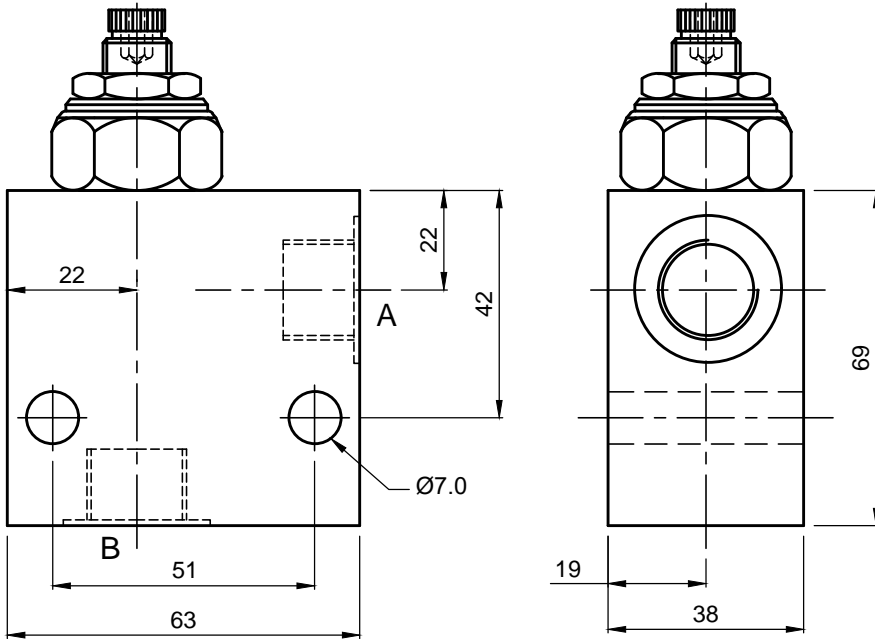


RELIEF VALVES (PILOT OPERATED)

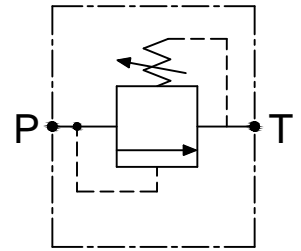
RP 04-XX-YY-ZZ



Cartridge



Cartridge With Body



Specifications

Maximum Flow	150 LPM
Maximum Setting Pressure	245 Bar
Reseat Pressure	80% of crack pressure
Cavity	C12-2

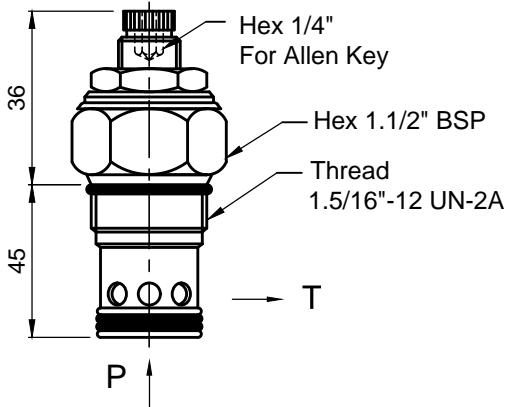
General Description

The RP Series, Pilot Operated Spool Type Relief Valves are best suited for continuous duty applications and are primarily used to limit main system pressure.

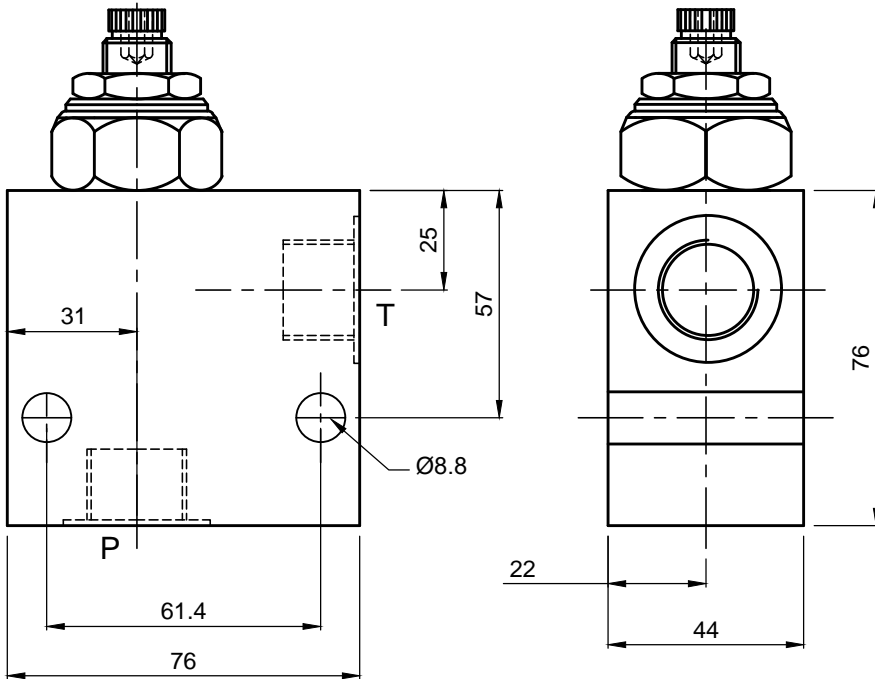
XX	Mounting Style
00	Cartridge
IL	Inline Mounting

YY	Press.Range(Bar)
10	10 - 105
20	20 - 170
30	30 - 245

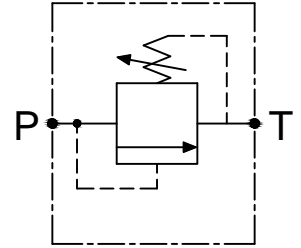
ZZ	PORTS
00	Cartridge
34	3/4" BSP (STD.)
10	1" BSP



Cartridge



Cartridge With Body



Specifications

Maximum Flow	280 LPM
Maximum Setting Pressure	245 Bar
Reseat Pressure	80% of crack pressure
Cavity	C16-2

General Description

The RP Series, Pilot Operated Spool Type Relief Valves are best suited for continuous duty Applications and are primarily used to limit main system pressure.

XX	Mounting Style
00	Cartridge
IL	Inline Mounting

YY	Press.Range(Bar)
10	10 - 105
20	20 - 170
30	30 - 245

ZZ	PORTS
00	Cartridge
10	1" BSP (STD.)
114	1-1/4" BSP